



# city of CREVE COEUR

300 North New Ballas Road • Creve Coeur, Missouri 63141  
(314) 432-6000 • Fax (314) 872-2539 • Relay MO 1-800-735-2966  
[www.creve-coeur.org](http://www.creve-coeur.org)

## PUBLIC NOTICE

### APPLICATION TO PLANNING AND ZONING COMMISSION #19-030 NEW LED PARKING LOT AND BUILDING LIGHTING FOR THE NATIONAL COUNCIL OF JEWISH WOMEN AT 295 N. LINDBERGH BOULEVARD

**FOR THE MEETING OF: Monday, August 19, 2019, 6:30 PM.**

**LOCATION:** 295 N. Lindbergh Boulevard, Zoned GC-General Commercial District (see attached map).

**REQUEST:** Scott Shelton, of Strieb Electric Co., on behalf of the National Council of Jewish Women, has submitted an application to replace the existing lighting on the building with new LED lights and add new LED parking lot lighting for 295 N. Lindbergh Boulevard. Section 405.680 Lighting states that the Planning and Zoning Commission shall review proposed lighting for non-residential building construction or for the replacement or addition of light standards on an existing non-residential development in accordance with Section 405.1080. Section 405.1080 requires minor site plan approval by the Planning and Zoning Commission for any proposed alteration that would significantly affect the exterior of a building or site.

**ADDITIONAL INFORMATION:** The Planning and Zoning Commission is scheduled to review and take action on the proposed alterations on Monday, August 19, 2019. City Council action is not required. Meetings are held at 6:30 P.M., in the Council Chambers of the Creve Coeur Government Center located at 300 North New Ballas Road. Additional information is available at the Government Center, Planning Division offices and available on the City's website at [www.creve-coeur.org](http://www.creve-coeur.org) under the Current Planning Projects page.

We encourage you to attend if you have any questions or wish to make a statement. In addition, you can submit written or e-mail comments in advance or at the meeting. For information about this proposal or to verify the meeting schedule, please call (314) 872-2501 or e-mail [wkelly@crevecoeurmo.gov](mailto:wkelly@crevecoeurmo.gov).

**APPLICANT:** Scott Shelton  
Strieb Electric Co.  
9225 Watson Industrial Park  
St. Louis, MO 63126

**PROPERTY OWNER:** National Council of Jewish Women  
295 N. Lindbergh Blvd  
Creve Coeur, MO 63141

#### Key Issues:

- Does the request integrate with the existing surrounding uses?
- Does the request further or implement the goals of the Comprehensive Plan?
- Is the request consistent with the Design Guidelines?

#### Comprehensive Plan References

- Design Guidelines

#### Zoning Code References

- Section 405.360: GC-General Commercial Business District
- Section 405.680: Lighting
- Section 1080: Site Concept, Site Development and Minor Site Plan Approval.



Color: Bronze

Weight: 32.9 lbs



Color: Bronze

Weight: 34.8 lbs



STAFF CONTACT: Whitney Kelly, AICP, City Planner  
CC: Heather Silverman and Alexis Travers, Ward I

Aerial Photo

National Council of Jewish Women, 295 N. Lindbergh Boulevard



City Limits

Parcels

August 6, 2019

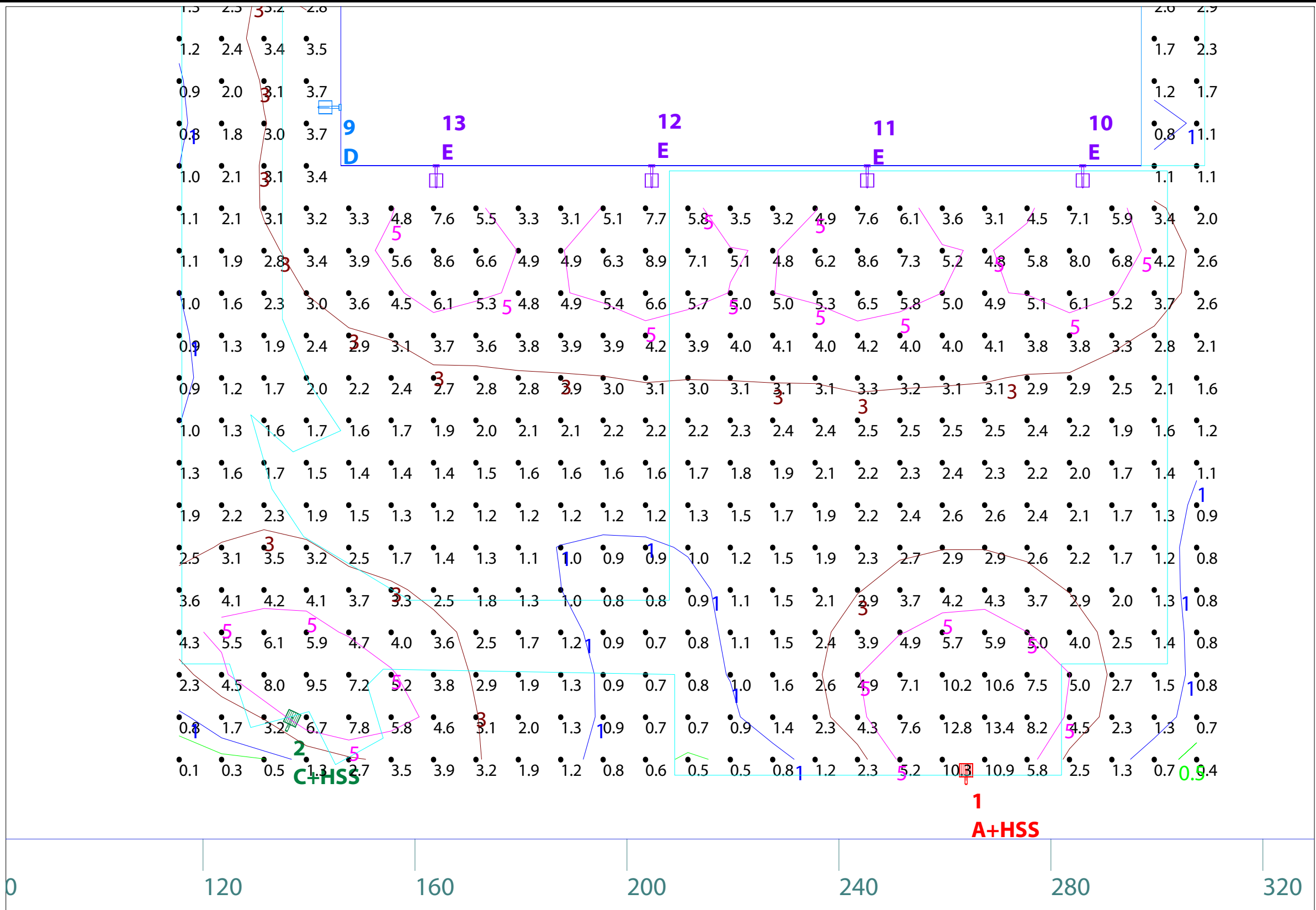


Prepared By

HORNER SHIFFRIN

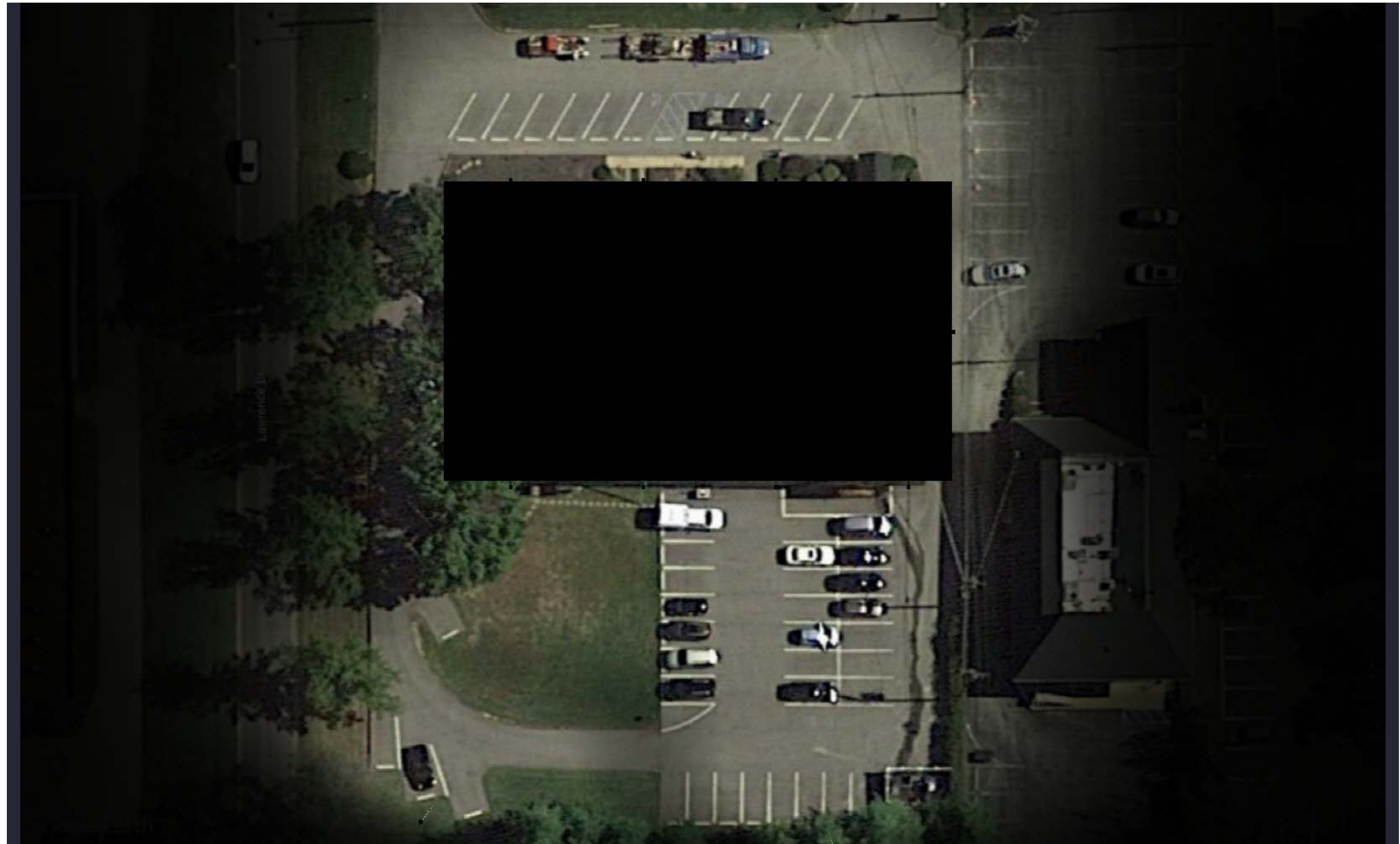






Bottom of Layout : Background Image Provided by Google Earth  
 Scale: 1 inch= 20 Ft.

|  |   |   |                    |   |
|--|---|---|--------------------|---|
| Prepared For:<br>Fishco Group<br>8721 Mackenzie Road<br>St. Louis, MO 63125                          | Job Name:<br>National Council of Jewish Women<br>St Louis, MO<br>Lighting Layout<br>Version A | Scale: as noted   | PROJECT # : 122730 | The Lighting Analysis, ezLayout, Energy Analysis and/or Visual Simulation ("Lighting Design") provided by the RAB Lighting Inc. ("RAB") represent an anticipated prediction of lighting system performance based upon design parameters and information supplied by others. These design parameters and information provided by others have not been field verified by RAB and therefore actual measured results may vary from the actual field conditions. RAB recommends that design parameters and other information be field verified to reduce variation.<br><br>RAB neither warranties, either implied or stated with regard to actual measured light levels or energy consumption levels as compared to those illustrated by the Lighting Design. RAB neither warranties, either implied or stated, nor represents the appropriateness, completeness or suitability of the Lighting Design intent as compliant with any applicable regulatory code requirements with the exception of those specifically stated on drawings created and submitted by RAB. The Lighting design is issued, in whole or in part, as advisory documents for informational purposes and is not intended for construction nor as being part of a project's construction documentation package. |
|  |   | Date:7/11/2019  | CASE # : 00255925  |   |
|  |   | Filename: Nat Council of Jewish Women Layout 00255925 A.AGI |                    |   |
|  |   | Drawn By: A. Murphy   |                    |   |
| Filename: C:\Users\anna.murphy\Desktop\Temp Folder\Nat Council of Jewish Women Layout 00255925 A.AGI |   |   |                    |   |



Top View : Background Image Provided by Google Earth



170 Ludlow Avenue, Northvale, NJ 07647  
888 722-1000 • rablighting.com

Prepared For:  
Fishco Group  
8721 Mackenzie Road  
St. Louis, MO 63125

Job Name:  
National Council of Jewish Women  
St Louis, MO  
Lighting Layout  
Version A

Scale: as noted

PROJECT # : 122730

Date:7/11/2019

CASE # : 00255925

Filename: Nat Council of Jewish Women Layout 00255925 A.AGI

Drawn By: A. Murphy

The Lighting Analysis, ezLayout, Energy Analysis and/or Visual Simulation ("Lighting Design") provided by the RAB Lighting Inc. ("RAB") represent an anticipated prediction of lighting system performance based upon design parameters and information supplied by others. These design parameters and information provided by others have not been field verified by RAB and therefore actual measured results may vary from the actual field conditions. RAB recommends that design parameters and other information be field verified to reduce variation.

RAB neither warranties, either implied or stated with regard to actual measured light levels or energy consumption levels as compared to those illustrated by the Lighting Design. RAB neither warranties, either implied or stated, nor represents the appropriateness, completeness or suitability of the Lighting Design intent as compliant with any applicable regulatory code requirements with the exception of those specifically stated on drawings created and submitted by RAB. The Lighting design is issued, in whole or in part, as advisory documents for informational purposes and is not intended for construction nor as being part of a project's construction documentation package.

Filename: C:\Users\anna.murphy\Desktop\Temp Folder\Nat Council of Jewish Women Layout 00255925 A.AGI

| Calculation Summary |             |       |      |      |     |         |         |                             |         |         |            |
|---------------------|-------------|-------|------|------|-----|---------|---------|-----------------------------|---------|---------|------------|
| Label               | CalcType    | Units | Avg  | Max  | Min | Avg/Min | Max/Min | Description                 | PtSpclr | PtSpctb | Meter Type |
| CalcPts             | Illuminance | Fc    | 2.88 | 13.4 | 0.1 | 28.80   | 134.00  | Readings taken at 0'-0" AFG | 8       | 8       | Horizontal |
| Parking Lot         | Illuminance | Fc    | 3.13 | 13.4 | 0.5 | 6.26    | 26.80   | Readings taken at 0'-0" AFG |         |         |            |

| Luminaire Schedule  |     |       |                       |             |       |   |            | All quotes/orders generated from this layout must be forwarded to the Local Rep Agency |  |  |  |
|---|-----|-------|-----------------------|-------------|-------|---|------------|--|--|--|--|
| Symbol  | Qty | Tag   | Label                 | Arrangement | LLF   | Description                               | BUG Rating |  |  |  |  |
|  | 1   | A+HSS | ALED4T150 + ALED150SS | SINGLE      | 1.000 | Type IV Pole Mount with Back Shield Only  | B1-U0-G3   |  |  |  |  |
|  | 1   | C+HSS | ALED3T150 + ALED150SS | SINGLE      | 1.000 | Type III Pole Mount with Back Shield Only | B1-U0-G3   |  |  |  |  |
|  | 3   | D     | WPLED2T50             | SINGLE      | 1.000 | Type II Wall Mount                        | B1-U0-G2   |  |  |  |  |
|  | 8   | E     | WPLED4T78             | SINGLE      | 1.000 | Type IV Wall Mount                        | B1-U0-G2   |  |  |  |  |

| Expanded Luminaire Location Summary |       |         |         |        |        |
|-------------------------------------|-------|---------|---------|--------|--------|
| LumNo                               | Tag   | X       | Y       | MTG HT | Orient |
| 1                                   | A+HSS | 264     | 12      | 20     | 90     |
| 2                                   | C+HSS | 136.424 | 21.905  | 20     | 64.885 |
| 3                                   | E     | 286     | 219.162 | 20     | 90     |
| 4                                   | E     | 245.333 | 219.162 | 20     | 90     |
| 5                                   | E     | 204.667 | 219.162 | 20     | 90     |
| 6                                   | E     | 164     | 219.162 | 20     | 90     |
| 7                                   | D     | 300.278 | 172     | 20     | 0      |
| 8                                   | D     | 142.839 | 201     | 20     | 180    |
| 9                                   | D     | 142.839 | 138     | 20     | 180    |
| 10                                  | E     | 286     | 123.955 | 20     | 270    |
| 11                                  | E     | 245.333 | 123.955 | 20     | 270    |
| 12                                  | E     | 204.667 | 123.955 | 20     | 270    |
| 13                                  | E     | 164     | 123.955 | 20     | 270    |
| Total Quantity: 13                  |       |         |         |        |        |

| Luminaire Tag Summary |     |
|-----------------------|-----|
| Tag                   | Qty |
| A+HSS                 | 1   |
| C+HSS                 | 1   |
| D                     | 3   |
| E                     | 8   |

**NOTES:**

\* The light loss factor (LLF) is a product of many variables, only lamp lumen depreciation (LLD) has been applied to the calculated results unless otherwise noted. The LLD is the result (quotient) of mean lumens / initial lumens per lamp manufacturers' specifications.

\* Illumination values shown (in footcandles) are the predicted results for planes of calculation either horizontal, vertical or inclined as designated in the calculation summary. Meter orientation is normal to the plane of calculation.

\* The calculated results of this lighting simulation represent an anticipated prediction of system performance. Actual measured results may vary from the anticipated performance and are subject to means and methods which are beyond the control of RAB Lighting Inc.

\* Mounting height determination is job site specific, our lighting simulations assume a mounting height (insertion point of the luminaire symbol) to be taken at the top of the symbol for ceiling mounted luminaires and at the bottom of the symbol for all other luminaire mounting configurations.

\* It is the Owner's responsibility to confirm the suitability of the existing or proposed poles and bases to support the proposed fixtures, based on the weight and EPA of the proposed fixtures and the owner's site soil conditions and wind zone. It is recommended that a professional engineer licensed to practice in the state the site is located be engaged to assist in this determination.

\* The landscape material shown hereon is conceptual, and is not intended to be an accurate representation of any particular plant, shrub, bush, or tree, as these materials are living objects, and subject to constant change. The conceptual objects shown are for illustrative purposes only. The actual illumination values measured in the field will vary.

\* Photometric model elements such as buildings, rooms, plants, furnishings or any architectural details which impact the dispersion of light must be detailed by the customer documents for inclusion in the RAB lighting design model. RAB is not responsible for any inaccuracies caused by incomplete information on the part of the customer, and reserves the right to use best judgement when translating customer requests into photometric studies.

\* RAB Lighting Inc. luminaire and product designs are protected under U.S. and International intellectual property laws. Patents issued or pending apply.



Prepared For:  
Fishco Group  
8721 Mackenzie Road  
St. Louis, MO 63125

Job Name:  
National Council of Jewish Women  
St Louis, MO  
Lighting Layout  
Version A

Scale: as noted PROJECT #: 122730

Date: 7/11/2019 CASE #: 00255925

Filename: Nat Council of Jewish Women Layout 00255925 A.AGI

Drawn By: A. Murphy

The Lighting Analysis, ezLayout, Energy Analysis and/or Visual Simulation ("Lighting Design") provided by the RAB Lighting Inc. ("RAB") represent an anticipated prediction of lighting system performance based upon design parameters and information supplied by others. These design parameters and information provided by others have not been field verified by RAB and therefore actual measured results may vary from the actual field conditions. RAB recommends that design parameters and other information be field verified to reduce variation.

RAB neither warranties, either implied or stated with regard to actual measured light levels or energy consumption levels as compared to those illustrated by the Lighting Design. RAB neither warranties, either implied or stated, nor represents the appropriateness, completeness or suitability of the Lighting Design intent as compliant with any applicable regulatory code requirements with the exception of those specifically stated on drawings created and submitted by RAB. The Lighting design is issued, in whole or in part, as advisory documents for informational purposes and is not intended for construction nor as being part of a project's construction documentation package.

Filename: C:\Users\anna.murphy\Desktop\Temp Folder\Nat Council of Jewish Women Layout 00255925 A.AGI



Color: Bronze

Weight: 32.9 lbs

**Project:**

**Type:**

**Prepared By:**

**Date:**

#### Driver Info

| Type        | Constant Current |
|-------------|------------------|
| 120V        | 1.31A            |
| 208V        | 0.80A            |
| 240V        | 0.69A            |
| 277V        | 0.60A            |
| Input Watts | 155.8W           |
| Efficiency  | 96%              |

#### LED Info

|                |              |
|----------------|--------------|
| Watts          | 150W         |
| Color Temp     | 5000K (Cool) |
| Color Accuracy | 71 CRI       |
| L70 Lifespan   | 100,000      |
| Lumens         | 18,464       |
| Efficacy       | 118.5 LPW    |

## Technical Specifications

### Listings

#### UL Listing:

Suitable for wet locations

#### DLC Listed:

This product is on the Design Lights Consortium (DLC) Qualified Products List and is eligible for rebates from DLC Member Utilities. DLC Product Code: P0000175F

#### IESNA LM-79 & LM-80 Testing:

RAB LED luminaires and LED components have been tested by an independent laboratory in accordance with IESNA LM-79 and LM-80.

#### Dark Sky Conformance:

Conforms to (allows for conformance to) the IDA's fully shielding requirement, emitting no light above 90 degrees (with the exclusion of incidental light reflecting from fixture housing, mounts, and pole).

### LED Characteristics

#### Lifespan:

100,000-hour LED lifespan based on IES LM-80 results and TM-21 calculations

#### LEDs:

Multi-chip, high-output, long-life LEDs

#### Color Consistency:

7-step MacAdam Ellipse binning to achieve consistent fixture-to-fixture color

#### Color Stability:

LED color temperature is warranted to shift no more than 200K in CCT over a 5-year period

#### Color Uniformity:

RAB's range of CCT (Correlated Color Temperature) follows the guidelines of the American National Standard for Specifications for the Chromaticity of Solid State Lighting (SSL) Products, ANSI C78.377-2017.

### Construction

#### IES Classification:

The Type IV distribution (also known as a Forward Throw) is especially suited for mounting on the sides of buildings and walls, and for illuminating the perimeter of parking areas. It produces a semiCircular distribution with essentially the same candlepower at lateral angles from 90° to 270°.

#### Effective Projected Area:

EPA = 0.75

#### Maximum Ambient Temperature:

Suitable for use in 40°C (104°F)

#### Cold Weather Starting:

Minimum starting temperature is -40°C (-40°F)

#### Thermal Management:

Superior thermal management with external "Air-Flow" fins

#### Lens:

Tempered glass lens

#### Housing:

Die-cast aluminum housing, lens frame and mounting arm

#### IP Rating:

Ingress Protection rating of IP66 for dust and water

#### Mounting:

Universal mounting arm compatible for hole spacing patterns from 1" to 5 1/2" center to center. Round Pole Adaptor plate included as a standard. Easy slide and lock to mount fixture with ease. Round pole diameter must be >4" to mount fixtures at 90° orientation.

#### Reflector:

Specular vacuum-metallized polycarbonate



## Technical Specifications (continued)

### Construction

**Gaskets:**

High-temperature silicone gaskets

**Finish:**

Formulated for high durability and long-lasting color

**Green Technology:**

Mercury and UV free. RoHS-compliant components.

### Electrical

**THD:**

4.7% at 120V, 13.3% at 277V

**Surge Protection:**

4kV

**Driver:**

One Driver, Constant Current, Class 2, 2100mA  
100-277V, 50-60Hz, Power Factor 99%

**Power Factor:**

99.5% at 120V, 93.7% at 277V

### Optical

**BUG Rating:**

B1 U0 G3

### Other

**BAA Compliance:**

Click [here](#) for BAA compliance.

**Warranty:**

RAB warrants that our LED products will be free from defects in materials and workmanship for a period of five (5) years from the date of delivery to the end user, including coverage of light output, color stability, driver performance and fixture finish. RAB's warranty is subject to all terms and conditions found at [rablighting.com/warranty](http://rablighting.com/warranty).

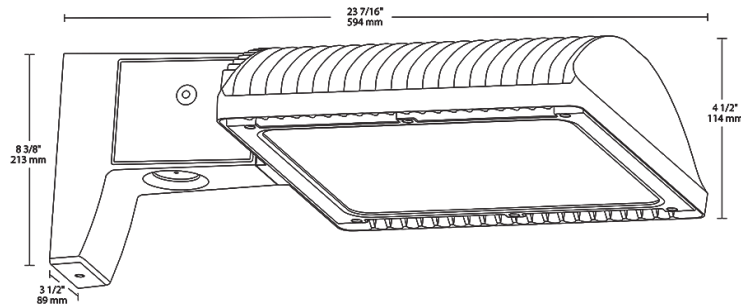
**Equivalency:**

Equivalent to 400W Metal Halide

**Buy American Act Compliance:**

RAB values USA manufacturing! Upon request, RAB may be able to manufacture this product to be compliant with the Buy American Act (BAA). Please contact customer service to request a quote for the product to be made BAA compliant.

## Dimensions



## Features

- 66% energy cost savings vs. HID
- 100,000-hour LED lifespan
- 5-Year, No-Compromise Warranty

## Ordering Matrix

| Family | Optics  | Wattage  | Mounting                              | Color Temp  | Finish  | Driver Options  | Options  | Other Options                           |
|--------|---|--|---------------------------------------|---|---|---|--|---|
| ALED   | 4T  | 150  |                                       |   |   |   |  |   |
|        | 4T = Type IV<br>3T = Type III<br>2T = Type II | 50 = 50W<br>78 = 78W<br>105 = 105W<br>125 = 125W<br>150 = 150W | Blank = Pole mount<br>SF = Slipfitter | Blank = 5000K (Cool)<br>N = 4000K (Neutral)<br>Y = 3000K (Warm) | Blank = Bronze<br>RG = Roadway Gray<br>W = White<br>K = Black | Blank = 120-277V<br>/480 = 480V<br>/BL = Bi-Level<br>/D10 = 0-10V Dimming | Blank = No Option<br>/LC = Lightcloud® Controller<br>/PCS = 120V Swivel Photocell<br>/PCS2 = 277V Swivel Photocell<br>/PCT = 120-277V Twistlock Photocell<br>/PCS4 = 480V Swivel Photocell<br>/PCT4 = 480V Twistlock Photocell<br>/WS2 = Multi-Level Motion Sensor 20 ft.<br>/WS4 = Multi-Level Motion Sensor 40 ft. | Blank = Standard<br>USA = BAA Compliant |



Color: Bronze

Weight: 32.5 lbs

**Project:**

**Type:**

**Prepared By:**

**Date:**

**Driver Info**

| Type        | Constant Current |
|-------------|------------------|
| 120V        | 1.31A            |
| 208V        | 0.80A            |
| 240V        | 0.69A            |
| 277V        | 0.60A            |
| Input Watts | 155.2W           |
| Efficiency  | 97%              |

**LED Info**

|                |              |
|----------------|--------------|
| Watts          | 150W         |
| Color Temp     | 5000K (Cool) |
| Color Accuracy | 71 CRI       |
| L70 Lifespan   | 100,000      |
| Lumens         | 16,839       |
| Efficacy       | 108.5 LPW    |

## Technical Specifications

### Listings

**UL Listing:**

Suitable for wet locations

**DLC Listed:**

This product is on the Design Lights Consortium (DLC) Qualified Products List and is eligible for rebates from DLC Member Utilities. DLC Product Code: P0000175C

**IESNA LM-79 & LM-80 Testing:**

RAB LED luminaires and LED components have been tested by an independent laboratory in accordance with IESNA LM-79 and LM-80.

**Dark Sky Conformance:**

Conforms to (allows for conformance to) the IDA's fully shielding requirement, emitting no light above 90 degrees (with the exclusion of incidental light reflecting from fixture housing, mounts, and pole).

### LED Characteristics

**Lifespan:**

100,000-hour LED lifespan based on IES LM-80 results and TM-21 calculations

**LEDs:**

Multi-chip, high-output, long-life LEDs

**Color Consistency:**

7-step MacAdam Ellipse binning to achieve consistent fixture-to-fixture color

**Color Stability:**

LED color temperature is warranted to shift no more than 200K in CCT over a 5-year period

**Color Uniformity:**

RAB's range of CCT (Correlated Color Temperature) follows the guidelines of the American National Standard for Specifications for the Chromaticity of Solid State Lighting (SSL) Products, ANSI C78.377-2017.

### Construction

**IES Classification:**

The Type III distribution is ideal for roadway, general parking and other area lighting applications where a larger pool of lighting is required. It is intended to be located near the side of the area, allowing the light to project outward and fill the area.

**Effective Projected Area:**

EPA = 0.75

**Maximum Ambient Temperature:**

Suitable for use in 40°C (104°F)

**Cold Weather Starting:**

Minimum starting temperature is -40°C (-40°F)

**Thermal Management:**

Superior thermal management with external "Air-Flow" fins

**Lens:**

Tempered glass lens

**Housing:**

Die-cast aluminum housing, lens frame and mounting arm

**IP Rating:**

Ingress Protection rating of IP66 for dust and water

**Mounting:**

Universal mounting arm compatible for hole spacing patterns from 1" to 5 1/2" center to center. Round Pole Adaptor plate included as a standard. Easy slide and lock to mount fixture with ease. Round pole diameter must be >4" to mount fixtures at 90° orientation.

**Reflector:**

Specular vacuum-metallized polycarbonate

## Technical Specifications (continued)

### Construction

**Gaskets:**

High-temperature silicone gaskets

**Finish:**

Formulated for high durability and long-lasting color

**Green Technology:**

Mercury and UV free. RoHS-compliant components.

### Electrical

**THD:**

6% at 120V, 11.3% at 277V

**Surge Protection:**

4kV

**Driver:**

One Driver, Constant Current, Class 2, 2100mA  
100-277V, 50-60Hz, Power Factor 99%

**Power Factor:**

99.5% at 120V, 93.7% at 277V

### Optical

**BUG Rating:**

B1 U0 G2

### Other

**BAA Compliance:**

Click [here](#) for BAA compliance.

**Warranty:**

RAB warrants that our LED products will be free from defects in materials and workmanship for a period of five (5) years from the date of delivery to the end user, including coverage of light output, color stability, driver performance and fixture finish. RAB's warranty is subject to all terms and conditions found at [rablighting.com/warranty](http://rablighting.com/warranty).

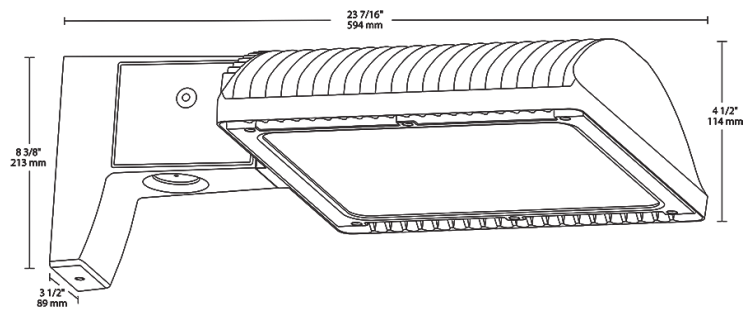
**Equivalency:**

Equivalent to 400W Metal Halide

**Buy American Act Compliance:**

RAB values USA manufacturing! Upon request, RAB may be able to manufacture this product to be compliant with the Buy American Act (BAA). Please contact customer service to request a quote for the product to be made BAA compliant.

## Dimensions



## Features

66% energy cost savings vs. HID

100,000-hour LED lifespan

5-Year, No-Compromise Warranty

## Ordering Matrix

| Family | Optics  | Wattage  | Mounting                              | Color Temp  | Finish  | Driver Options  | Options  | Other Options                           |
|--------|---|--|---------------------------------------|---|---|---|--|---|
| ALED   | 3T  | 150  |                                       |   |   |   |  |   |
|        | 4T = Type IV<br>3T = Type III<br>2T = Type II | 50 = 50W<br>78 = 78W<br>105 = 105W<br>125 = 125W<br>150 = 150W | Blank = Pole mount<br>SF = Slipfitter | Blank = 5000K (Cool)<br>N = 4000K (Neutral)<br>Y = 3000K (Warm) | Blank = Bronze<br>RG = Roadway Gray<br>W = White<br>K = Black | Blank = 120-277V<br>/480 = 480V<br>/BL = Bi-Level<br>/D10 = 0-10V Dimming | Blank = No Option<br>/LC = Lightcloud® Controller<br>/PCS = 120V Swivel Photocell<br>/PCS2 = 277V Swivel Photocell<br>/PCT = 120-277V Twistlock Photocell<br>/PCS4 = 480V Swivel Photocell<br>/PCT4 = 480V Twistlock Photocell<br>/WS2 = Multi-Level Motion Sensor 20 ft.<br>/WS4 = Multi-Level Motion Sensor 40 ft. | Blank = Standard<br>USA = BAA Compliant |



Weight: 0.0 lbs

Project:

Type:

Prepared By:

Date:

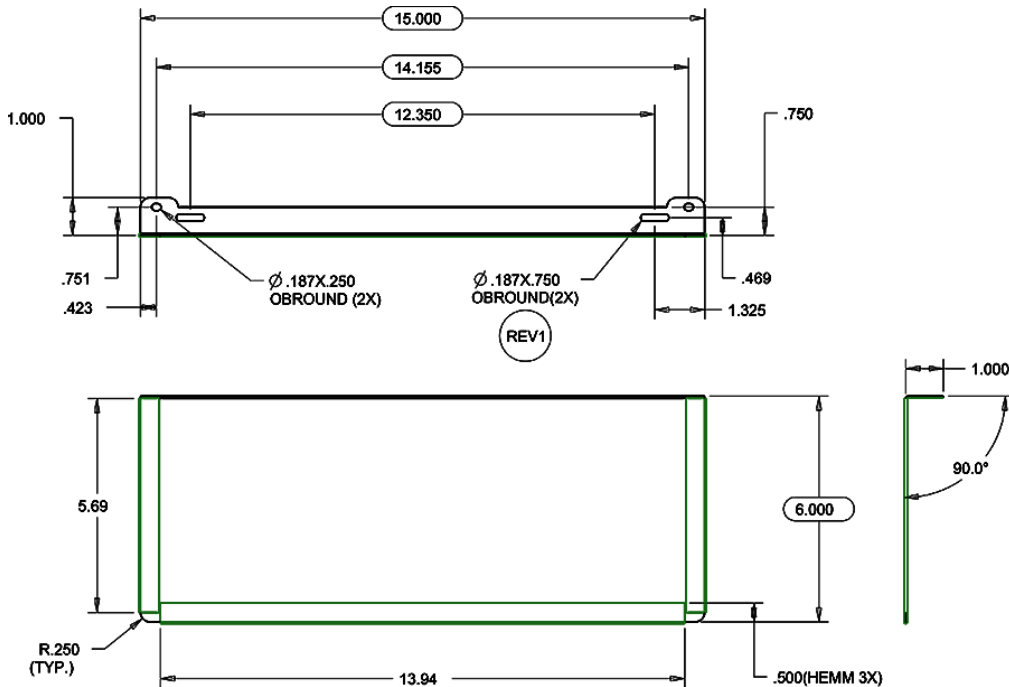
## Technical Specifications

### Other

#### Buy American Act Compliance:

RAB values USA manufacturing! Upon request, RAB may be able to manufacture this product to be compliant with the Buy American Act (BAA). Please contact customer service to request a quote for the product to be made BAA compliant.

## Dimensions





Color: Bronze

Weight: 34.8 lbs

**Project:**

**Type:**

**Prepared By:**

**Date:**

**Driver Info**

|             |                  |
|-------------|------------------|
| Type        | Constant Current |
| 120V        | 0.46A            |
| 208V        | 0.27A            |
| 240V        | 0.23A            |
| 277V        | 0.20A            |
| Input Watts | 56W              |
| Efficiency  | 89%              |

**LED Info**

|                |              |
|----------------|--------------|
| Watts          | 50W          |
| Color Temp     | 5000K (Cool) |
| Color Accuracy | 71 CRI       |
| L70 Lifespan   | 100,000      |
| Lumens         | 7,070        |
| Efficacy       | 126.2 LPW    |

## Technical Specifications

### Listings

**UL Listing:**

Suitable for wet locations as a downlight

**DLC Listed:**

This product is on the Design Lights Consortium (DLC) Qualified Products List and is eligible for rebates from DLC Member Utilities. DLC Product Code: P00001791

**IESNA LM-79 & IESNA LM-80 Testing:**

RAB LED luminaires and LED components have been tested by an independent laboratory in accordance with IESNA LM-79 and LM-80.

### LED Characteristics

**Lifespan:**

100,000-hour LED lifespan based on IES LM-80 results and TM-21 calculations

**LEDs:**

Multi-chip, high-output, long-life LEDs

**Color Consistency:**

7-step MacAdam Ellipse binning to achieve consistent fixture-to-fixture color

**Color Stability:**

LED color temperature is warranted to shift no more than 200K in CCT over a 5-year period

**Color Uniformity:**

RAB's range of CCT (Correlated Color Temperature) follows the guidelines of the American National Standard for Specifications for the Chromaticity of Solid State Lighting (SSL) Products, ANSI C78.377-2017.

### Construction

**IES Classification:**

The Type II distribution is ideal for wide walkways, on ramps and entrance roadways, bike paths and other long and narrow lighting applications. This type is meant for lighting larger areas and usually is located near the roadside. This type of lighting is commonly found on smaller side streets or jogging paths.

**IP Rating:**

Ingress Protection rating of IP66 for dust and water

**Ambient Temperature:**

Suitable For use in 40°C (104°F)

**Cold Weather Starting:**

Minimum starting temperature is -40°C (-40°F)

**Thermal Management:**

Superior thermal management design with external Air-Flow fins provides maximum operational life, even in high ambient temperature environments

**Housing:**

Die cast aluminum housing, lens frame and mounting arm

**Mounting:**

Heavy-duty mounting arm with "O" ring seal & stainless steel screws

**Reflector:**

Specular vacuum-metallized polycarbonate

**Gaskets:**

High-temperature silicone gaskets

**Finish:**

Formulated for high durability and long-lasting color

**Green Technology:**

Mercury and UV free. RoHS-compliant components.

## Technical Specifications (continued)

### Electrical

#### Surge Protection:

6kV surge suppression protection tested in accordance with IEEE/ANSI C62.41.2.

#### THD:

6.1% at 120V, 9.4% at 277V

#### Power Factor:

99.6% at 120V, 96% at 277V

#### Driver:

Constant Current, Class 2, 1400mA, 100-277V, 50-60Hz, 0.8A, Power Factor 99%

#### Other

#### Patents:

The WPLED™ design is protected by patents pending in the U.S., Canada, China, Taiwan and Mexico.

#### Warranty:

RAB warrants that our LED products will be free from defects in materials and workmanship for a period of five (5) years from the date of delivery to the end user, including coverage of light output, color stability, driver performance and fixture finish. RAB's warranty is subject to all terms and conditions found at [rablighting.com/warranty](http://rablighting.com/warranty).

#### Equivalency:

Replaces 200W Metal Halide

#### Buy American Act Compliance:

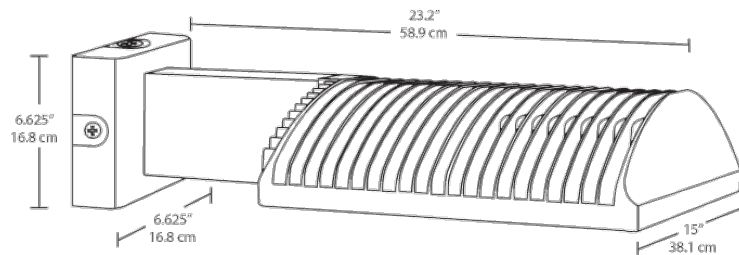
RAB values USA manufacturing! Upon request, RAB may be able to manufacture this product to be compliant with the Buy American Act (BAA). Please contact customer service to request a quote for the product to be made BAA compliant.

#### Optical

#### BUG Rating:

B1 U0 G1

### Dimensions



### Features

- High performance LED light engine
- Maintains 70% of initial lumens at 100,000-hours
- Weatherproof high temperature silicone gaskets
- Superior heat sinking with die cast aluminum housing and external fins
- Replaces 400W MH
- 100 up to 277 Volts
- 5-Year, No-Compromise Warranty

### Ordering Matrix

| Family | Optics  | Wattage  | Color Temp  | Mounting                       | Finish                      | Driver Options   | Other Options  |
|--------|---|--|---|--------------------------------|-----------------------------|--|--|
| WPLED  | 2T  | 50   |   |                                |                             |  |  |
|        | 4T = Type IV<br>3T = Type III<br>2T = Type II | 50 = 50W<br>78 = 78W<br>105 = 105W<br>125 = 125W<br>150 = 150W | Blank = 5000K (Cool)<br>N = 4000K (Neutral)<br>Y = 3000K (Warm) | Blank = Arm<br>FX = Flat Mount | Blank = Bronze<br>W = White | Blank = Standard<br>/480 = 480V<br>/BL = Bi-Level<br>/D10 = 0-10V Dimming<br>/480/D10 = 480V 0-10V Dimming | Blank = Standard<br>/PC = 120V Photocell<br>/PC2 = 277V Photocell<br>/PCT = 120-277V Twistlock Photocell<br>/PCT4 = 480V Twistlock Photocell<br>/PCS = 120V Swivel Photocell<br>/PCS2 = 277V Swivel Photocell<br>/PCS4 = 480V Swivel Photocell<br>/WS2 = Multi-Level Motion Sensor (20 ft. mt. ht.)<br>/WS4 = Multi-Level Motion Sensor (40 ft. mt. ht.)<br>/LC = Lightcloud Control |







Color: Bronze

Weight: 32.4 lbs

**Project:**

**Type:**

**Prepared By:**

**Date:**

**Driver Info**

**LED Info**

|             |                  |                |              |
|-------------|------------------|----------------|--------------|
| Type        | Constant Current | Watts          | 78W          |
| 120V        | 0.66A            | Color Temp     | 5000K (Cool) |
| 208V        | 0.41A            | Color Accuracy | 71 CRI       |
| 240V        | 0.35A            | L70 Lifespan   | 100,000      |
| 277V        | 0.30A            | Lumens         | 10,157       |
| Input Watts | 77.1W            | Efficacy       | 131.7 LPW    |
| Efficiency  | N/A              |                |              |

## Technical Specifications

### Listings

**UL Listing:**

Suitable for wet locations as a downlight

**DLC Listed:**

This product is on the Design Lights Consortium (DLC) Qualified Products List and is eligible for rebates from DLC Member Utilities. DLC Product Code: P0000170Y

**IESNA LM-79 & IESNA LM-80 Testing:**

RAB LED luminaires and LED components have been tested by an independent laboratory in accordance with IESNA LM-79 and LM-80.

### LED Characteristics

**Lifespan:**

100,000-hour LED lifespan based on IES LM-80 results and TM-21 calculations

**LEDs:**

Six (6) multi-chip, 13W, high-output, long-life LEDs

**Color Consistency:**

3-step MacAdam Ellipse binning to achieve consistent fixture-to-fixture color

**Color Stability:**

LED color temperature is warranted to shift no more than 200K in CCT over a 5-year period

**Color Uniformity:**

RAB's range of CCT (Correlated Color Temperature) follows the guidelines of the American National Standard for Specifications for the Chromaticity of Solid State Lighting (SSL) Products, ANSI C78.377-2017.

### Construction

**IP Rating:**

Ingress Protection rating of IP66 for dust and water

**Ambient Temperature:**

Suitable For use in 40°C (104°F)

**Cold Weather Starting:**

Minimum starting temperature is -40°C (-40°F)

**Housing:**

Die cast aluminum housing, lens frame and mounting arm

**Reflector:**

Specular vacuum-metallized polycarbonate

**Gaskets:**

High-temperature silicone gaskets

**Finish:**

Formulated for high durability and long-lasting color

**Green Technology:**

Mercury and UV free. RoHS-compliant components.

### Optical

**Specification Grade Optics:**

The Type IV distribution (also known as a Forward Throw) is especially suited for mounting on the sides of buildings and walls, and for illuminating the perimeter of parking areas. It produces a semiCircular distribution with essentially the same candlepower at lateral angles from 90° to 270°.

**BUG Rating:**

B1 U0 G2

### Electrical

**THD:**

5.1% at 120V, 13.2% at 277V

## Technical Specifications (continued)

### Electrical

#### Surge Protection:

6kV

#### Driver:

Constant Current, Class 2, 2000mA, 100-277V, 50-60Hz, 1.1A, Power Factor 99%

### Other

#### Warranty:

RAB warrants that our LED products will be free from defects in materials and workmanship for a period of five (5) years from the date of delivery to the end user, including coverage of light output, color stability, driver performance and fixture finish. RAB's warranty is subject to all terms and conditions found at [rablighting.com/warranty](http://rablighting.com/warranty).

#### Patents:

The WPLED design is protected by patents pending in the U.S., Canada, China, Taiwan and Mexico.

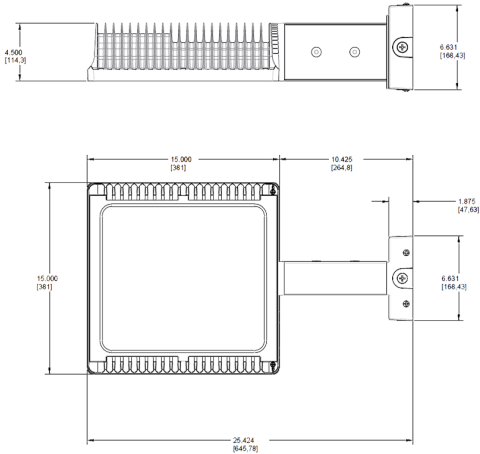
### Replacement:

Replaces 400W Metal Halide

### Buy American Act Compliance:

RAB values USA manufacturing! Upon request, RAB may be able to manufacture this product to be compliant with the Buy American Act (BAA). Please contact customer service to request a quote for the product to be made BAA compliant.

## Dimensions



## Features

- High performance LED light engine
- Maintains 70% of initial lumens at 100,000-hours
- Weatherproof high temperature silicone gaskets
- Superior heat sinking with die cast aluminum housing and external fins
- Replaces 400W MH
- 100 up to 277 Volts
- 5-Year, No-Compromise Warranty

## Ordering Matrix

| Family | Optics  | Wattage  | Color Temp  | Mounting                       | Finish                      | Driver Options   | Other Options   |
|--------|---|--|---|--------------------------------|-----------------------------|--|---|
| WPLED  | 4T  | 78   |   |                                |                             |  |   |
|        | 4T = Type IV<br>3T = Type III<br>2T = Type II | 50 = 50W<br>78 = 78W<br>105 = 105W<br>125 = 125W<br>150 = 150W | Blank = 5000K (Cool)<br>N = 4000K (Neutral)<br>Y = 3000K (Warm) | Blank = Arm<br>FX = Flat Mount | Blank = Bronze<br>W = White | Blank = Standard<br>/480 = 480V<br>/BL = Bi-Level<br>/D10 = 0-10V Dimming<br>/480/D10 = 480V 0-10V Dimming | Blank = Standard<br>/PC = 120V Photocell<br>/PC2 = 277V Photocell<br>/PCT = 120-277V Twistlock Photocell<br>/PCT4 = 480V Twistlock Photocell<br>/PCS = 120V Swivel Photocell<br>/PCS2 = 277V Swivel Photocell<br>/PCS4 = 480V Swivel Photocell<br>/WS2 = Multi-Level Motion Sensor (20 ft. mt. ht.)<br>/WS4 = Multi-Level Motion Sensor (40 ft. mt. ht.)<br>/LC = Lightcloud Controller |



Square steel poles drilled for 2 Area Lights at 180°. Designed for ground mounting. Poles are stocked nationwide for quick shipment. Protective packaging ensures poles arrive at the job site good as new.

Color: Bronze

Weight: 136.7 lbs

|                     |              |
|---------------------|--------------|
| <b>Project:</b>     | <b>Type:</b> |
| <b>Prepared By:</b> | <b>Date:</b> |

## Technical Specifications

### Listings

#### CSA Listed:

Suitable for wet locations

### Construction

#### Shaft:

46,000 p.s.i. minimum yield.

#### Hand Holes:

Reinforced with grounding lug and removable cover

#### Base Plates:

Slotted base plates 36,000 p.s.i.

#### Shipping Protection:

All poles are shipped in individual corrugated cartons to prevent finish damage

#### Color:

Bronze powder coating

#### Height:

20 FT

#### Weight:

137 lbs

#### Gauge:

11

#### Wall Thickness:

1/8"

#### Shaft Size:

4"

#### Hand Hole Dimensions:

3" x 5"

#### Bolt Circle:

8 1/2"

#### Base Dimension:

8"

#### Anchor Bolt:

Galvanized anchor bolts and galvanized hardware and anchor bolt template. All bolts have a 3" hook.

#### Anchor Bolt Templates:

WARNING Template must be printed on 11" x 17" sheet for actual size. CHECK SCALE BEFORE USING. Templates shipped with anchor bolts and available [online](#).

#### Pre-Shipped Anchor Bolts:

Bolts can be pre-shipped upon request for additional freight charge

#### Max EPA's/Max Weights:

70MPH 8.3 ft./240 lb.  
 80MPH 5.6 ft./165 lb.  
 90MPH 3.6 ft./110 lb.  
 100MPH 2.2 ft./75 lb.  
 110MPH 1.0 ft./45 lb.  
 120MPH 0.2 ft./20 lb..

#### Accessories:

Anchor Bolts: [ABK4-11](#)

**Technical Specifications (continued)**

**Other**

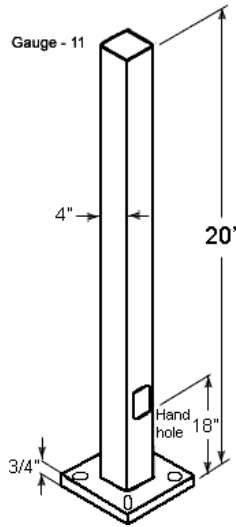
**Terms of Sale:**

Pole Terms of Sale is available [online](#).

**Buy American Act Compliance:**

RAB values USA manufacturing! Upon request, RAB may be able to manufacture this product to be compliant with the Buy American Act (BAA). Please contact customer service to request a quote for the product to be made BAA compliant.

**Dimensions**



**Features**

- Designed for ground mounting
- Heavy duty TGIC polyester coating
- Reinforced hand holes with grounding lug and removable cover for easy wiring access
- Anchor Bolt Kit includes pole cap and base cover (sold separately)
- Custom manufactured for each application